

15 PC SLIDE HAMMER AND PULLER SET

PARTS BREAKDOWN

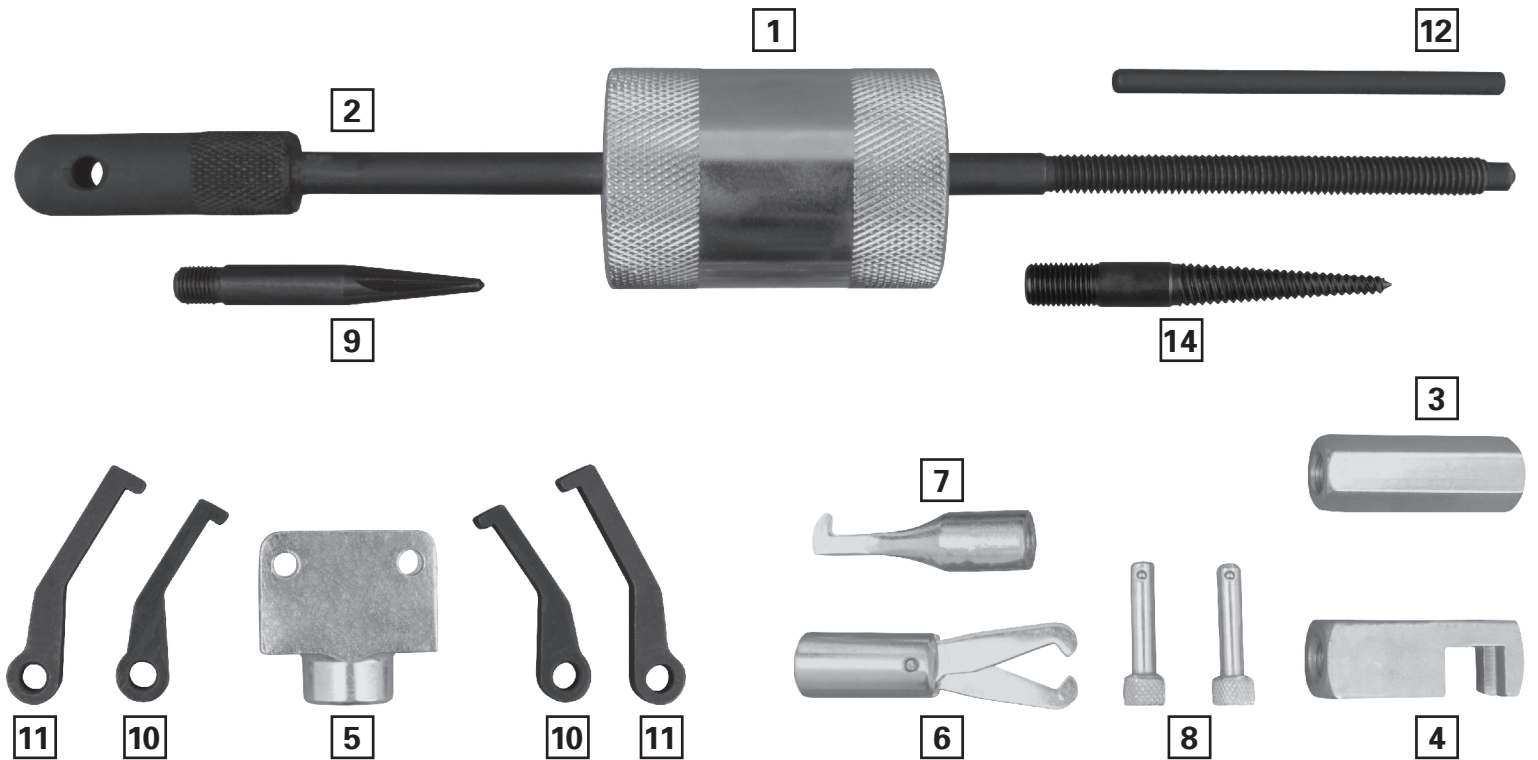


FIGURE NO.	PART NO	DESCRIPTION	NO. REQD
1	49701	2 POUND SLIDE HAMMER	1
2	49702	THREADED SLIDE ROD	1
3	49703	SCREW ADAPTER	1
4	49704	SQUARE HOOK	1
5	49705	JAW ADAPTER	1
6	49706	2 JAW PULLER	1
7	49707	PULLER HOOK	1
8	49708	LOCKING PINS	2
9	49709	FLUTED EXTRACTOR	1
10	49710	SMALL JAWS	2
11	49711	LARGE JAWS	2
12	49712	T-HANDLE CROSS BAR	1
NOT SHOWN	49713	BLACK BMC CASE	1
14	49714	SPIRAL EXTRACTOR	1