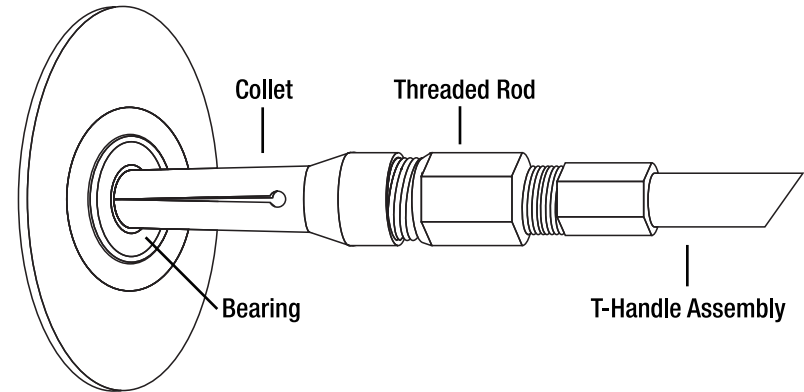


### COMPONENTS

Item No.	Part No.	Description
1	29-1	3/8" - 1/2" Collet and Threaded Rod
2	29-2	9/16" - 11/16" Collet and Threaded Rod
3	29-3	5/8" - 1" Collet and Threaded Rod
4	29-4	1" - 1-1/4" Collet and Threaded Rod
5	29-5	Slide Hammer
6	29-6	T-Handle Assembly
7	29-7	Blow Molded Case

### APPLICATION

Used to remove recessed bearings. Ideal for removing pilot bearings. This set covers bearings with inner diameter sizes of 3/8" up to 1-1/4".



### INSTRUCTIONS

1. Measure the inside diameter of the bearing and choose the proper collet.
2. Thread and tighten the collet on to the T-handle assembly.
3. The collet jaws should be fully closed. If not, reverse collet on the threaded rod until the jaw ends touch.
4. Insert the collet completely into the bearing. While holding on to the collet, turn the T-handle assembly clockwise to expand the collet jaws.
5. Ensure the jaws are properly set and tighten the collet against the bearing.
6. While keeping fingers and other obstructions out of the way, slide the slide hammer to the rear of the assembly, the handle end, with force repeatedly until the bearing has been removed.

### WARNINGS

Keep fingers clear of the slide hammer and the ends of the T-handle assembly. Always wear OSHA approved eye protection and gloves when using this tool. Keep the collets and threaded rods lubricated and clear of debris.