

Part No. 95400

IN-LINE DOWELL PIN PULLER MASTER SET

PARTS BREAKDOWN

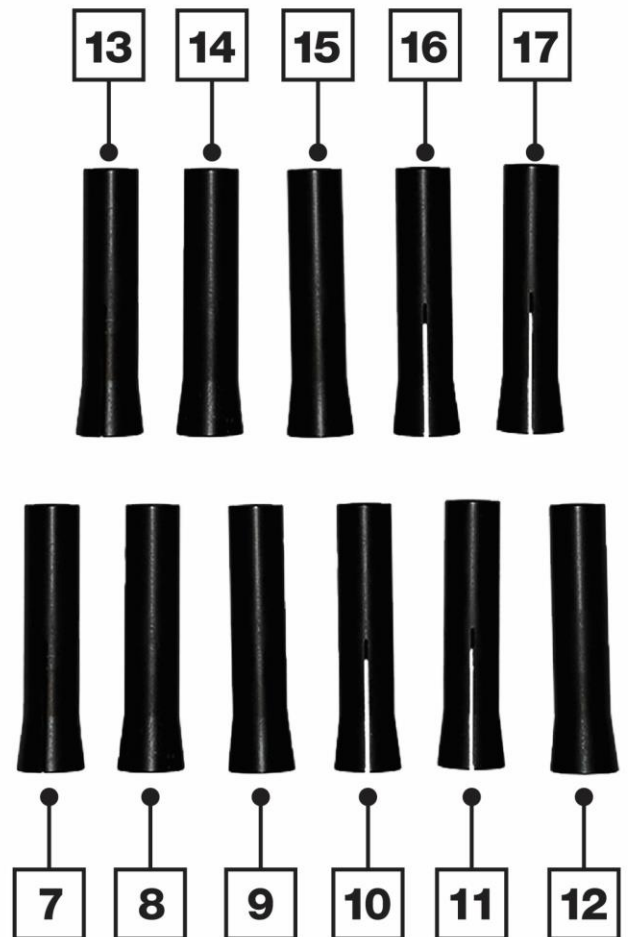
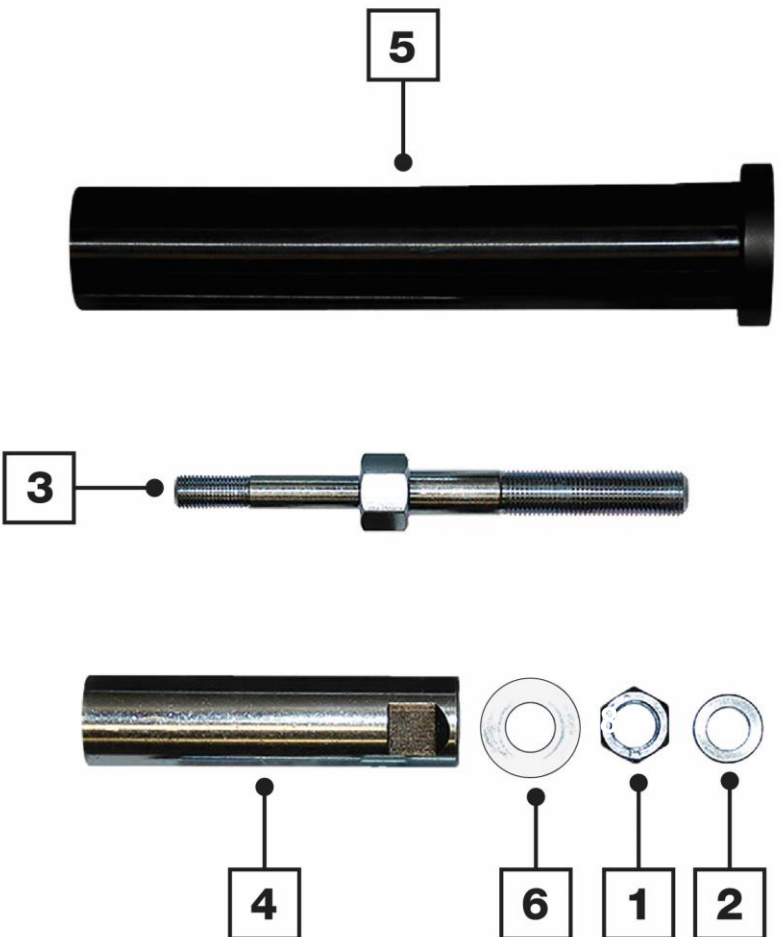


FIGURE NO.	PART NO.	DESCRIPTION	NO. REQD
1	952-22A	NUT	1
2	952-100	BUSHING	1
3	952-200	SHAFT THREADED	1
4	952-400	GUIDE	1
5	952-500	HOUSING	1
6	953-22A	WASHER	1
7	953-280	4MM COLLET	1
8	953-290	5MM COLLET	1
9	953-210	6MM COLLET	1
10	953-220	8MM COLLET	1
11	953-240	10MM COLLET	1
12	953-260	12MM COLLET	1
13	952-270	3/16" COLLET	1
14	952-210	1/4" COLLET	1
15	952-230	5/16" COLLET	1
16	952-250	3/8" COLLET	1
17	952-290	1/2" COLLET	1
18	952-900	BLOW MOLDED CASE (NOT SHOWN)	1